

GSM Coin PAYPHONE

INSTRUCTION MANUAL



I. Brief Introduction:

This GSM coin payphone adapts to 850/900/1800/1900MHz GSM network and remote network management system. It's a most suitable telecom service solution for somewhere which is not convenient to use telephone lines such as shopping malls, parks, squares, stations, harbor and tourism spots etc.

II. Structure Diagram:



III. Main Features:

1. Micro computer unit control system
2. Adopt GSM telecommunication mode
3. Using 0.5, 1, 2, 5, 10 peso coins
4. Maximum 6 pcs coins could be put into validator
5. Enact tariff rate
6. Press VOLUME to delete the last digit of input number.
7. LCD displays time, coin amount input, count-down timer, setting content and signal strong/febleness etc.
8. Wall-mount / Desktop compatible
9. Fixed / Remotion
10. Auto collect coins

11.Low power indication


IV. Power Supply:

1. Inside payphone Battery: NiMH, DC 6V, 2000mAh
2. External Adaptor: INPUT---220VAC OUTPUT---7.5V/1.5A

V. Operating Conditions:



Working Frequency: GSM 850/ 900/ 1800/ 1900MHz
Temperature: -10°C ~40°C
Relative Humidity: 45% ~95%
Atmosphere Pressure: 86~106kPa

VI. SIM Card Installation and Power Connection:

1. Before install the SIM card, please make sure to shut off the payphone power (including battery & external power), otherwise the SIM card may be damaged.
2. When installing the SIM card, please make sure the PIN code is “1234” and the PIN code auto verification function is shut off.
3. Take out the coin box, insert the SIM card into the faucet and lock it.
4. Lock the coin box, turn the battery switch to “ON” position or connect the external power. After checking Network for about 2 minutes, when the LCD display the name of Network supplier, the payphone is ready for using.
5. Pick up the phone, if LCD displays  (low power), please switch to EXTERNAL power supply, otherwise the phone could not work normally.

VII. Operating Instructions:

1. To make a call:

- 1) Pick up the handset, LCD displays  on the top left corner (totally six grades signal displays., if LCD displays , it means the signal is too weak the phone could not work normally.) LCD displays “INSERT COIN” in the middle, after input sufficient coins the LCD would display amount value of input coin and “PLS DIAL”. Dial the number and press “Redial” button or stop pressing keypad for 5 minutes, the call would be dialed out. When calling is answered, the phone automatically collects the coins and enables the call, and count-down timer starts. When there are several seconds (programmable) before the calling is terminated, the phone starts to give warning tone. Insert more coins to continue the call, otherwise the call would be terminated when time up.
- 2) When the line is busy or no one answers, press “REDIAL” button to redial without withdraw the coins.

2. To receive a call:

When there's an incoming call, pick up the handset and:

- 1) If LCD displays the value needed to receive the call, input sufficient value of coins, the phone would automatically collect the coins and enable the call, count-down timer starts. When there are 10 seconds (programmable) before the calling is terminated, the phone starts to give warning tone one time per second. Insert more coins to continue the call, otherwise the call would be terminated when time up.

2) If LCD displays free call count-down timer and value needed to continue the call after the free period, user could talk free during the free period. When there are 10 seconds (programmable) before the talk is terminated, the phone starts to give warning tone one time per second. Insert more coins to continue the call, otherwise the call would be terminated when time up.

3. Check coin box records

Pick up handset and input '*'#' and 8-digits check password (default setting is 37597893), LCD display

AMT: xxxxxx.xx CUM: xxxxxx.xx

Namely currently total collection coin amount (AMT), history total collection coin amount (CUM), this record can't be cleared. Press "VOLUME" button the LCD displays:

COIN BOX RESET? 1: YES 0: NO

Press '1' clear the current total collection coin amount (AMT), '0' to quit CLEAR UP operation, "REDIAL" exit.

VIII. Enact functions, number prefixes and relevant tariff rate:

Enactment Procedure:

Pick up under normal standby mode, after displays "INSERT COIN", input "*# + program password", default password is "27056312", LCD displays PROGRAM (00-06), the phone enter into programming state, input the needed information content to set:

Note: input 00 to 06 option items when programming; press "#" to save setting, press "*" cancel operation, press "VOLUME" button cancel input, press "REDIAL" button clear input.

Enact Passwords

Press 00#, LCD displays 'OWNER p:'

'OWNER p:' stands for owner password (input this password can enter into function menu), input 8-digit password then press # to confirm, LCD displays "FUNC p:"; "FUNC p:" stands for programme password, input 8-digit password then press # to confirm, LCD displays "CASHB p:"; "CASHB p:" stands for password for checking collected coins amount, input 8-digit password then press # to confirm, the phone automatically return to "PROGRAM (00-06)".

Note : Default owner password, programming password, checking password are '17593796', '27056312', '37597893', please be noted that this three passwords can't be the same when changing passwords, please make sure to remember the programming password, if it lost the phone can't be set any more forever.

Enact Incoming Calls

Press 01#, LCD displays 'INCOMING CALL: ' and then '000s, 0000c/00s'
000s means incoming calls are forbidden to answer (if another digits means
the seconds time for free answering) 0000c/00s means charge XXXX per
XX second after free answer period, press digit keypad directly from 0 to 9
for setting, and press '#' to save the configuration (or press '*' cancel the
operation), the phone return to PROGRAM (00-06) .

Enact Tariff Rate

Press 02#, LCD displays 'R00: 0000/000s00'

"R00-R13" stands for 14 kinds of local or long distance call tariff rate,, press "1" and "4" to
choose item.

At the cursor input digit 0-9, maximum can be set as 9999/999s99.

If input "0100 c /060s10" it stands for local phone tariff rate is 60s \$1.00 (0010c stands for \$0.1),
"10" stands for the phone number of this corresponding tariff rate prompt to add more coins before
finishing the call 10 seconds (unit: second, range 01-99)。

Press "#" save configuration and enter into next setting group automatically ,press* return t
o "PROGRAM (00-06)".

Enact Telephone Number Prefixes and Relevant Tariff Rates

Press 03#,LCD displays "PRXxxx:.", input digits to set number prefix(maximum 9 digits),
not input prefix and press "VOLUME" display "X" means input " 0-9", press "#"save se
tting, LCD displays"FEE:R15", enter into the setting of this number prefix, press"1" and
"4"choose tariff rate:

"FEE:R00----FEE:R13":corresponding to the R00-R13 pre-programmedabove each .

"R14" stands for free call

"R15" stands for barred call.

Press "#" to save setting and enter into setting the number prefix of next group ,LCD displays
"PRXxxx:" again

Press"*"return to "PROGRAM (00-06) "

**Note: When programming the number prefixes, if a group of prefixes is included
in another which correspond a different charge rate, the group included should
be input prior to the group that includes. For example, if there are two groups
started with "3" and "39", each with a different tariff rate, the prefix "39" and
its relevant tariff should be input prior to that of prefix "3"; "390" piror to "39",
etc.**

Resume to Default Setting

Press 04#, LCD displays "SET CLEAR?"

Press "#" to confirm, the phone clear tariff/prefix setting automatically, LCD displays 'WAITING'
and then automatically return to

"PROGRAM (00-06) "

Enact coins sum display mode

Press 05#, LCD displays "Coin Mode(0-1)",choose the sum display

format: 1.XXXX; 0.XX.XX, press“*”, return to “PROGRAM (00-06) ”

Coin frequency learn function

Press 06#, LCD displays “COIN FREQ STUDY”, “SELECT COIN:1-8”:

COIN FREQ STUDY SELECT COIN:1-8

Then press“1”-“8”keys choose coin type “1”-“8”then start testing

1:1030	2. 0+001
Min:1020	Max:1030

The payphone automatically record the minimum and maximum of coins frequency when insert coins, and displays the current value ,user can insert selected type coins continuously several times according to actually request (min 20 times, 30-50 times better) .Press “VOLUME” key when need to change coins type, after choosing the coins type you can continue to your test of next kind of coin; press “REDIAL” button to save the current testing coins type data when needing.

SAVE COIN-1 CFG?
Min:1020 Max:1030

After tested all the coins type press “#” key LCD displays "SAVE ALL RESULT", "#:OK *:QUIT" press “#” key to save data, press“*”key quit without save.

Note:

1.Before using coins frequency learn function must first configure following:

6.5.1 Infrared Configuration,

6.5.2 Coin Value Configuration,

6.5.3 Coin Infrared Configuration;

2.This test data can be used to configure the reference data

Of “6.5.4 Coin Frequency Configuration”.

Note: the content of this item needn’t to be set after leave factory.

IX. Operating Instructions for User Menu:

1. Menu structure

Main menu	Submenu1	Submenu2
1:Local city NO.		
2:Date & Time		
3:Volume		
4:Calling bills		
5:Statistic		
6:Settings	1:Locking cfg	

	2:SMS centre no.	
	3:NMS centre no.	
	4:Clear history	
	5: Coin Settings	0:Infrared CFG
		1:Coin Value CFG
		2:Coin Infra CFG
		3:Coin Freq CFG
		4.Verify F/T CFG
		#:Quit
	6: Network Band	
	7: Dial Tone	
	8: Report Time	
	9. Report Period	
	#:Quit	
7:Edition info		
#: Quit		

Setting Procedure:

A. Pick up the handset under standby mode, LCD displays “INSERT COIN”; input ‘*’#’ and 8-digits password (same as owner password , default setting is 17593796) the phone then enters into menu setting, LCD displays:

MAIN MENU
1: Local City NO.

B. Under the Main Menu mode, press “*” means page up, “#” means page down, using “*” “#” these two button to choose the item, press “REDIAL” to enter; after finishing the setting, press “REDIAL” to save and return to Main Menu, press “VOLUME” to exit and return to Main Menu.

C. Press “*” to delete the last digit input during the programming procedure or press “#” to delete all the input contents. press “REDIAL” to save and return.

Note: If there are no operations within 30 seconds the phone would automatically returns to standby mode.

1 Local code

Local city No, When user dial local number (except free call number), the phone would automatically add this number before the dial number when dial out the local city No., For example, if the local city no. is 0123, set the Local code is 0123, when user dials 87654321, the phone would automatically dial out number :012387654321. If not, the phone would directly dial 87654321.

2 Date & Time

To set the time and date for the phone, using the format : “YYMMDDhhmm”. Press “*” to delete the last digit input or press “#” to delete all contents input. Press “REDIAL” to save and exit.

3 Volume

To adjust the volume of phone . After choosing this item, LCD displays:

Volume (1-4) 4

Input numbers (1-4) to set the volume. “4” is the highest and “1” is the lowest.

4 Calling bills

To check the recent records of dialed/incoming numbers (30 pcs). Press “#” or “*” to go through the items, press “1”, “2” or “3” to display the calling time, call duration, and call charge.

5 Statistics

To check the statistics of Local calls、STD calls、ISD calls、Incoming calls, All calls, Sum call, Total coins-1, Sum coins-1. Press “#” or “*” to go through the items, charge, for Local call, Sum call. For Total coins-1, Sum coins-1, press ‘1’ – ‘9’ to switch coin type(1-9,type 9 is fake coin), press “1”, “2” or “3” to check the cumulative calling times, cumulative calling duration time and cumulative call

6 Settings

Enter into setting menu needs input the correct programming password (different from owner password, default is“27056312”), continue to set the following items after enter into the set menu.

6.1 Locking cfg

To configure locking SIM card , payphone and network, etc.

Locking config 00011

Using these 5 alphabets ABCDE stand for the function as below:

A: SIM card lock	0: unlocked	1: locked
B: payphone lock	0: unlocked	1: locked
C: network lock	0: unlocked	1: locked
D: on reservation		
E: on reservation		

Note: Please make sure to disable all the locked function display as “ Locking config 00000” when you want to replace SIM card, otherwise, the payphone may can not be work normally.

6.2 SMS centre no

To set SMS centre no, using the mode of “country code” + “SMS centre code”. The wrong setting of SMS centre no would affect the remote maintenance operation to the coin box by network manager flat, press ‘0’ for 2 seconds can input ‘+’.

6.3 NMS centre no

To set NMS centre no, using the mode of “country code” + “NMS centre code”. After this no. is set, coin box would only accept remote maintenance from this specific NMS centre. press ‘0’ for 2 seconds can input ‘+’.

6.4 Clear history

LCD display:

CLEAR HISTORY? 1:YES 0:NO

Press “1” to clear the history or press “0” to exit.

6.5 Coin Settings

Set the Enable/Disable of infrared lamp,coins type , payphone can support to configure maximum 8 kinds of coins type. Every kind of coin type need to be configured coin value, infrared lamp identify value state, pulse eigenvalue (min,max) .

Options Coin type	Coin Value (0000-9999)	Coin Infrared (XXXXXX)	Coin Frequency		Automatic Frequency test	
			Min	Max	Min	Max
Coin I						
Coin II						
Coin III						
Coin IV						
Coin V						
Coin VI						
Coin VII						
Coin VIII						

6.5.0 Infrared Configuration

Set the Enable/Disable of infrared test lamp, infrared lamp use D0-D5 6-digit to be showed, ‘1’ stands for Enable,‘0’stands for Disable, for example: RMB payphone need to check two kinds of

coins: 1 yuan and 0.5 yuan, if the machine can finish the testing only use three lamps, then can be set "011100"stands for D1,D2,D3 is Enable; D0,D4,D5 is "Disable".

Press"REDIAL" save and exit.

Infrad CFG<D0-D5 011100

6.5.1 Coin Value Configuration

Configure 8 coins value maximum, coin value can be showed by 4-digit, range is 0000-9999, unit is Fen. For example,RMB1.00 yuan should be configured to 0100, 0.50yuan is configured to 0050. The useless coins value type is configured as"0000".

Coin 1 Value 0100

Press'#' delete whole line input, press'*'or "REDIAL" save and turn to next coins type setting.

6.5.2 Coin Infrared Configuration

Set every coins type corresponding to the state of infrared testing lamp. Using 6-digit denotation, '1' stand for matching, '0' stand for not matching; e.g. RMB 1.00yuan corresponding to the infrared state D0-D5 is 001100, then means D0,D1 with pass through light, D2,D3 without pass through light (here D4, D5 without using).

Press'#' delete whole line input, press'*'or "REDIAL" save and turn to next coins type setting.

Coin 1 CFG<D0-D5 001100

6.5.3 Coin Frequency Configuration

Set the frequency data scale of every kinds of coins. Every coins value type corresponding to frequency data each, using Min, Max stand for minimum and maximum, using 4-digit value, range is 0000-9999. The MIN and MAX value here can be gained from testing program.

Coin 1 Freq Min: 2520

Press '#' delete whole line input, press'*'or "REDIAL" save and turn to next coins type setting.

6.5.4 Verify F/T CFG

On reservation.

6.6 Network Band

Set internet frequency, support five kinds: 1:PGSM MODE, 2:DCS MODE, 3:PCS MODE, 4:EGSM/DCS MODE, 5:GSM850/PCS MOD. Press “REDIAL” save and exit.

Network Band:1-5: 1:PGSM MODE

6.7 Dial Tone

Set dialing tone type , support two kinds of tone , namely: 1: Public(450HZ) 2:India(400x25HZ)。 Press “REDIAL” save and exit。

Dial Tone:1-2: 1:Public

6.8 Report Time

On reservation.

6.9 Report Period

On reservation.

X. Setting and testing program

1. To enter the testing mode:
Press “#” then connecting the phone to power till LCD displays “PLEASE WAIT...”, release the button, wait for about 2-3 seconds, LCD displays “PRESS # TO TEST”, the phone is in testing mode.
2. Testing Procedures
 - a) Press “#” to begin LCD testing. It’s normal if the dot-matrix blocks are all activated with the backlight on;
 - b) Press “#” to begin the next test----“KEYPAD TEST”. User can test every button of the keyboard to see whether it works fine. Press the button and LCD would display relevant number on right; press’#’ to exit keyboard testing
 - c) Handset test, when LCD displays “HANDSET TEST”, pick up handset, user can listen to the handset to check whether there is any dialing tone, hang up handset; press’#’ to quit.
 - d) Buzzer test, when LCD displays “BUZZ TEST”, user can hear incoming call rings(‘du du’); press’#’ to quit.
 - e) Power test, when LCD displays “POWER TEST”, user can see a 4 digit number keep changing at the right corner of the LCD, this shows the voltage of the Power adaptor or the pressure value of battery (Unit :mV) ; press’#’ to quit.
 - f) Motor test, LCD display “MOTOR TEST”, if don’t have picked up the handset LCD display“ PLS HOOK OFF”. Pick up handset, press”#” to start testing, if motor is normal, power will be auto on/off twice.
 - g) Sensor test 1, displays “SENSOR TEST-1”, at this time don’t need to pick up the handset otherwise the LCD display ‘PLS HOOK ON ‘, press # to start testing, LCD displays “10111111” on the second line. Separate corresponding to D0–D7 state, all the state should be ‘1’ except D1 is ‘0’ , if not ‘1’ that means sensor is not in

normal working. Then press #

- h) Enter sensor test 2, displays "SENSOR TEST-2" the handset should be picked up otherwise the LCD display " PLS HOOK OFF". Pick up the handset. Press # to start testing, display "00000000" on the second line. Separate corresponding to D0-D7 state, this show means the sensor is in order. Press #.
- i) Enter Benchmark pulse testing, LCD displays "BASE FREQ TEST", press"#" start testing, press"*" start to read the data of next time, press'#' to quit.
- j) Enter the coin test, when LCD displays "COIN TYPE TEST", to test the capability of identify real/fake coins, please pick up the handset before testing, then press'#' to start testing, user can input coins into the coin slot continuously to test. On the right corner of the LCD would be a sign of "-XXX" showing the number of fake coins while on the left corner would be display D0-D5 and a sign of "X.XX" showing the total amount of real coins; down line left is the frequency

- i. The items a

101111	2.0	-001
1029	4604	0 1390

 re configure coins parameter 6.5.3 Coin Infrared Co
Infrared Co
ncy Configuration parameter, it's the reference of configuring coins parameter;
- ii. After configure the coins parameter can be used for real/fake coins and coins type testing.

Press # to quit

Enter PTP TEST, displays:

PTP TEST PRESS # TO STAR

press # to start, displays:

PTP TEST ERROR

(Please press # to quit this test. This test is for product data test. It is tested in factory only.)

Press "##"

- k. Enter SET UP MODE, press"#", LCD displays "SETUP MODE", pick up handset, LCD displays "PLS INPUT KEY" , Input "*#+power password"(default is 17593796) can into user setting mode.

3. Enter into programming setting

Under the configure format or unusual register format, pick up LCD displays "PLS INPUT KEY:." , input"*#+owner password" can enter into user menu (Main Menu) ; input"*#+programming password" can enter into programming menu(PROGRAM (00-06)).

ANNEX

Battery Usage Instructions

I. Specifications

NiMH battery

Voltage : 6V

Capacity: 2000 mAh

II. Charging

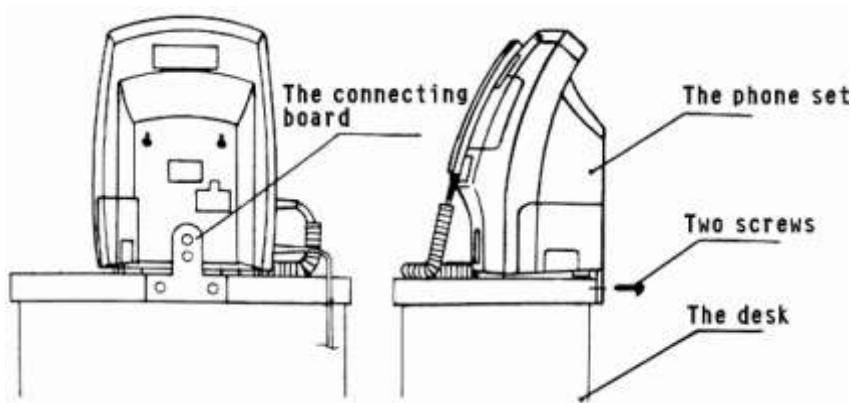
1. Before replacing the battery, you are requested to cut the external power supply.
2. Connect the adaptor to 220V external power supply and insert the homocentric pin into the payphone.

III. Warnings

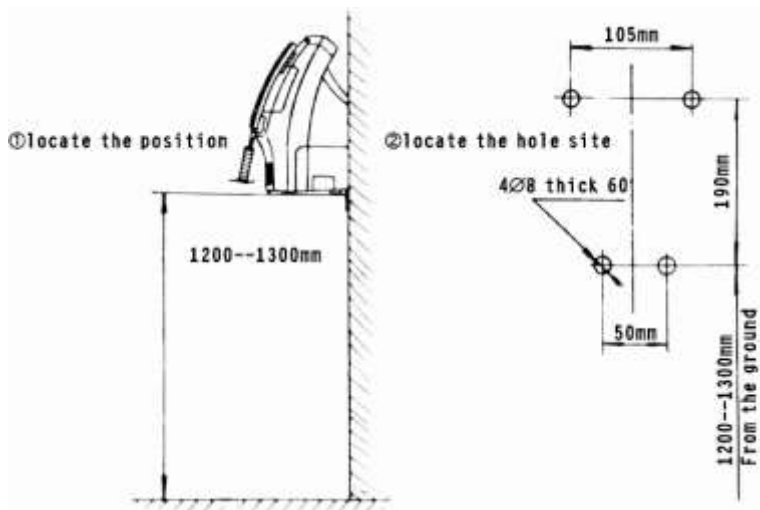
1. Do not put the battery in a location of moisture and high temperature.
2. Do not put the battery in fire to prevent explosion.
3. Do not short-circuit the battery.
4. Do not dismantle the battery shell.
5. Do not install the batter in a flammable or explosive condition.
6. Do not clean the batter with benzene or banana oil impregnant.

IV. Installation Diagram

1. Install the payphone on the table.



2. Install the payphone on the wall



Copyright 2010 [High Technology International](http://www.hightechintl.com)

Telephone +12025507248 & 1 800 TECH NOW Skype hightechintl