

High technology International Introduces

Super 3G Router (WCDMA)

with WiFi , RJ45 & RJ11 Interface

Quick Start Guide (English)

World Headquarters:

164 Madison Avenue 6th Fl. NY.NY 10016 + 1 347 746 3890

Attn: D.P. Lang, GM Mobile + 1 212 470 9664

www.hightechnologyinternational.com

Contents

1 CHECK PACKAGE CONTENTS	3
2 SYSTEM REQUIREMENTS	3
3 APPEARANCE	4
4 QUICK ROUTER SET-UP	5
STEP1: INSERT THE SIM CARD	5
STEP 2: CONNECT TO A PC	5
STEP 3: CONNECT TO A TELEPHONE SET	6
STEP 4: CONNECT THE EXTERNAL ANTENNA (OPTIONAL)	6
STEP 5: CONNECT TO THE POWER ADAPTER	6
5 CONFIGURE THE NETWORK SETTINGS	7
6 CONFIGURE 3G ROUTER	10
STEP 1: OPEN WEB MANAGEMENT	10
STEP 2: INPUT USER AND PASSWORD	11
STEP 3: INTELLIGENT GUIDE	12
STEP 4: ADMINISTRATOR INFORMATION CONFIGURATION.....	12
STEP 5: CONFIGURE THE SYSTEM TIME	13
STEP 6: CONFIGURE 3G MODE	14
STEP 7: CONFIGURE LAN INFORMATION	15
STEP 8: CONFIGURE WLAN INFORMATION	16

Factory Defaults #17

1 Check Package Contents

3G Router x1 RJ45 Ethernet cable DC9V 1.5A Power Adapter x1 Quick Start Guide x1 3G External Antenna (option)

2 System Requirements

The recommended PC configuration for using the Router is as follows:

☐☐CPU: Pentium 500 MHz or above

☐☐Memory: 128 MB RAM or above

☐☐Hard disk: 100 MB or above of available space

☐☐Operating System: Windows®2000, XP, Vista, Linux 2.4/2.6 ☐☐Internet Browser: Internet Explorer 6.0 or Internet Explorer 7.0, Firefox 1.5 or Firefox 2.0, Safari 3.0 **3 Appearance** (Figure 1)



SIM slot: Push-push type

Connect: Blue Light (Successful)
Blue Light flash (Dialing-up)
Disconnect: Light Off

Wi-Fi: Blue Light

Signal: Strong: Blue Light
General: Purple Light
Weak: Red Light

Power: Red Light

Network Mode: 3G: Blue Light
2G: Purple Lig



SMA External antenna (option)

Reset: Long push (>5s),
Reset to factory default setting



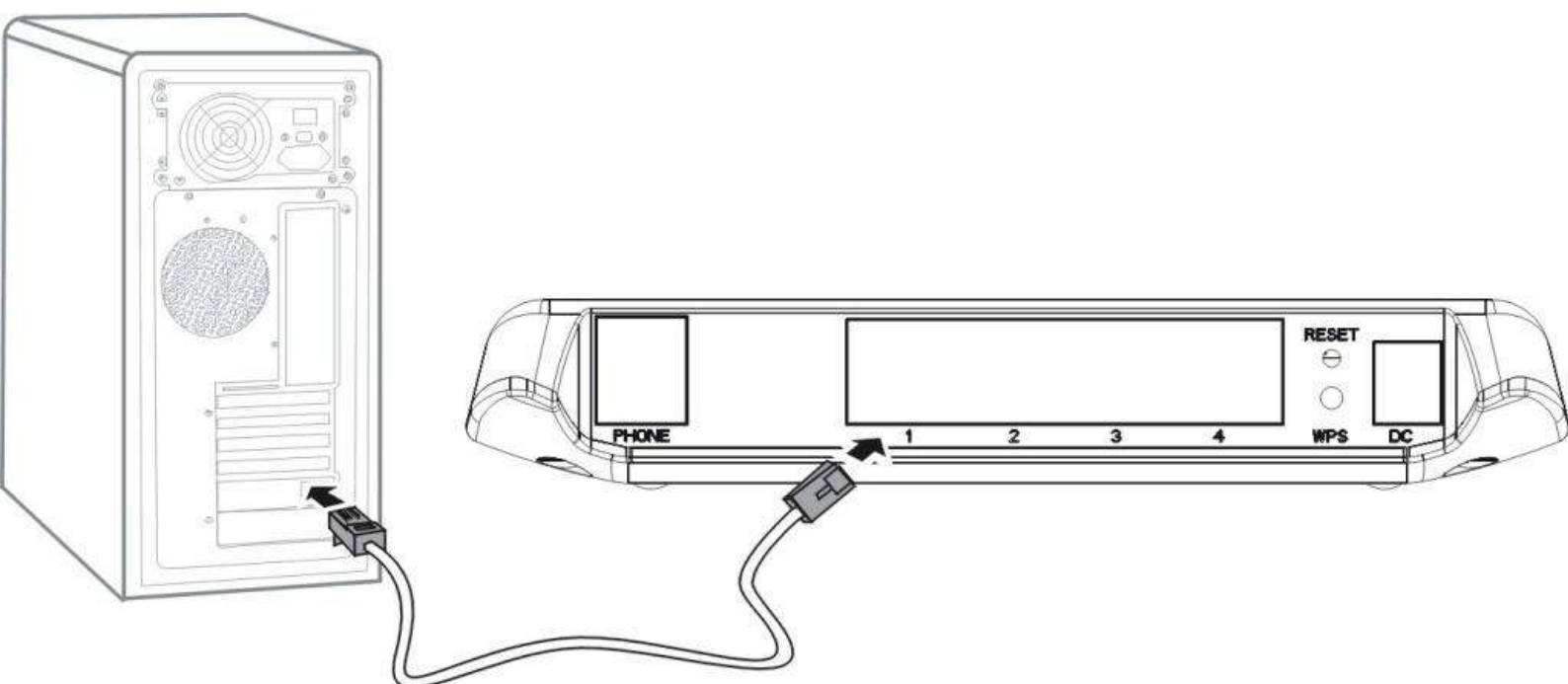
PSTN: 1x RJ-11
support voice

4 x RJ45 ports, can be
configured to be 1x
WAN port

WPS

DC Power: 9V 1.5A

4 Quick Router Set-up



Step1: Insert the SIM card

Warning Before inserting or removing the SIM card, you must disconnect the device from the power adapter. If you are required to enter the PIN code, enter the correct one. If you fail to enter the correct PIN or PUK code, the network-related functions are unavailable. The SIM card is supplied by the service provider. For details, contact your service provider. Insert the card into the slot completely, as shown in the following figure.

(Figure 2)

To remove the card, press the card gently. Now the card will pop up automatically.

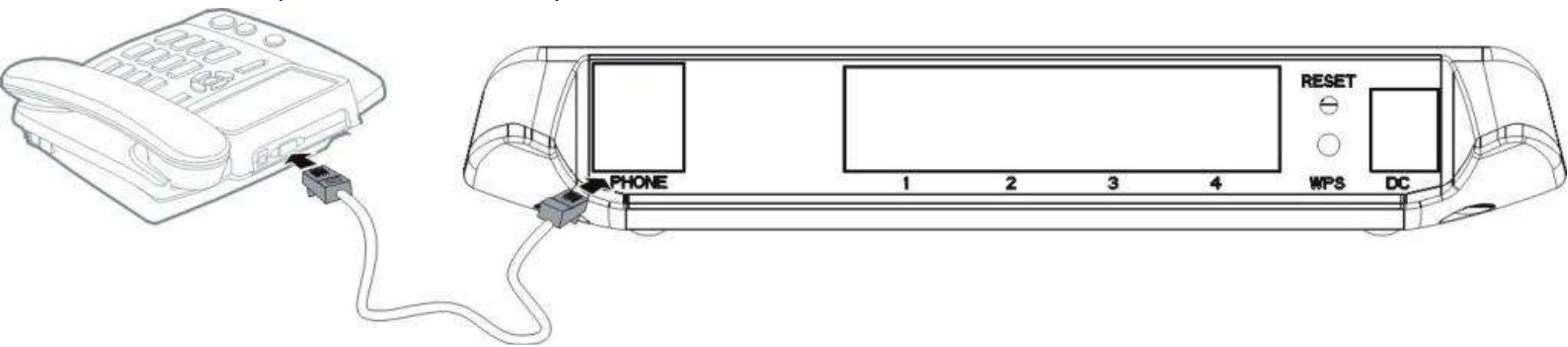
Step 2: Connect to a PC

If the indicator of the Ethernet interface connecting with a network cable is on, the connection is successful. The Ethernet cable cannot be longer than 100 meters (328 feet). To achieve better effect, use the shielded cable.

(Figure 3)

Step 3: Connect to a telephone set

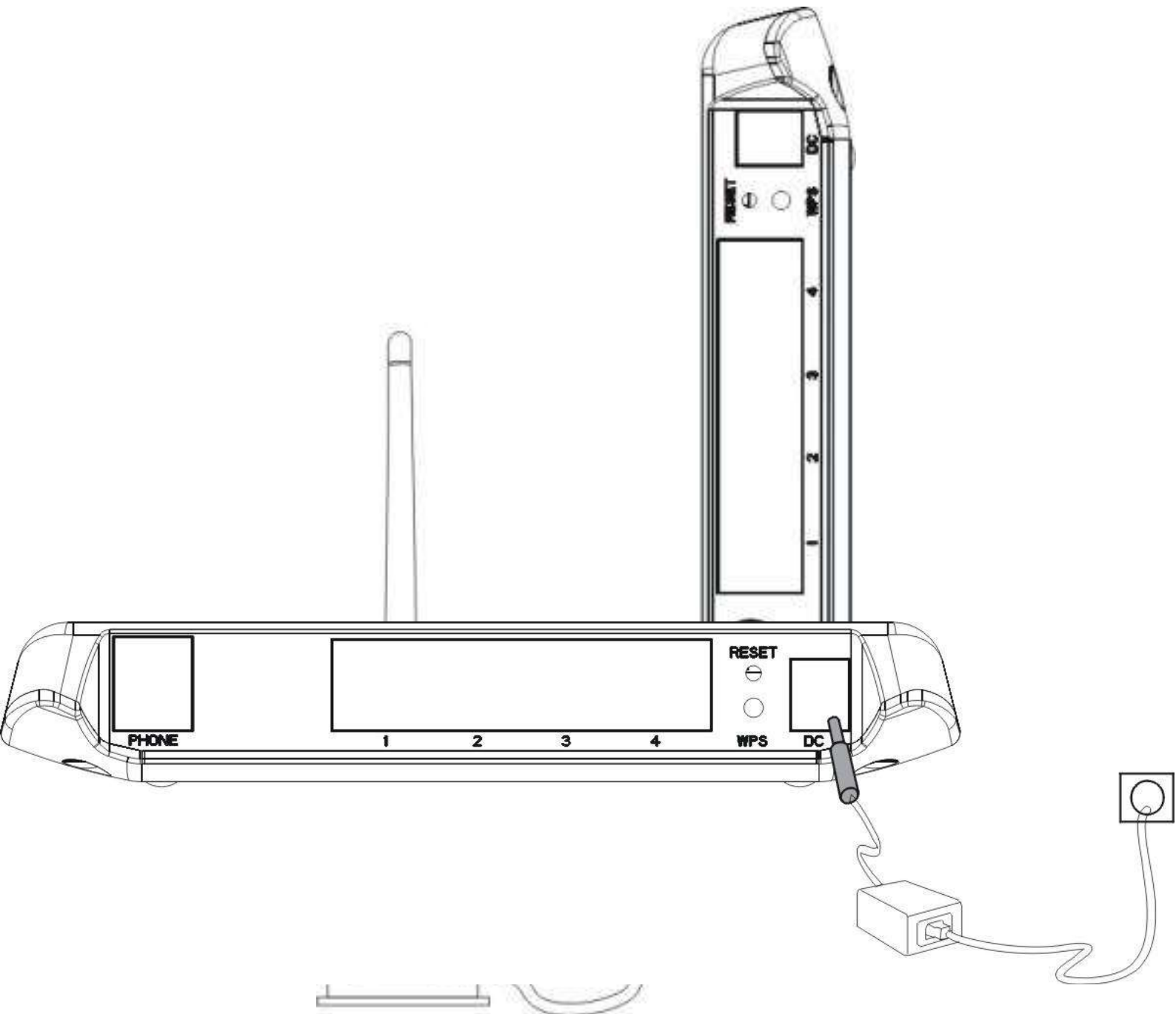
The communication quality of the telephone set can be interfered by the wireless signal. Place the telephone set one meter away from the device.



(Figure 4)

Step 4: Connect the external antenna (optional)

Connect the external antenna cable with the antenna jack on the main unit. Screw the cable to make sure that the antenna is tightly connected with the antenna jack.



(Figure 5)

Step 5: Connect to the power adapter

Use a power adapter that is compatible with the device; otherwise, the device may be damaged.

(Figure 6)

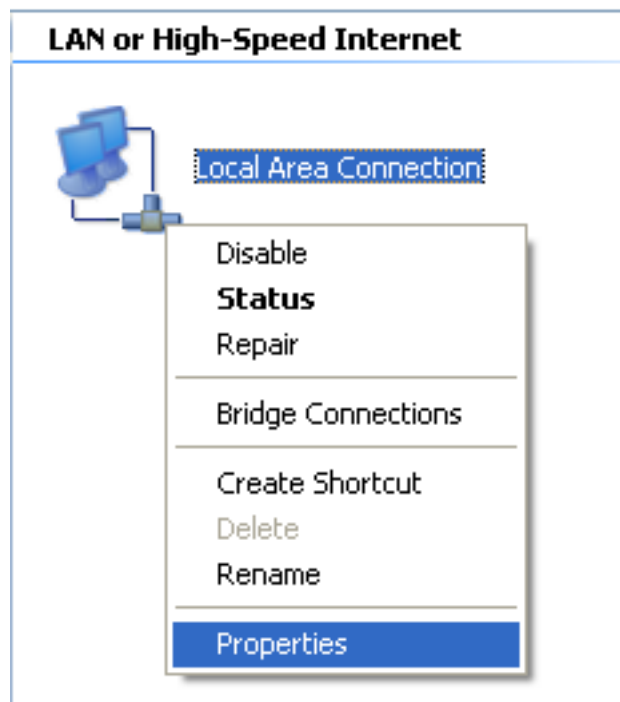
5 Configure the network settings

Step1: On the desktop, right-click on "My Network Places", select "Properties".



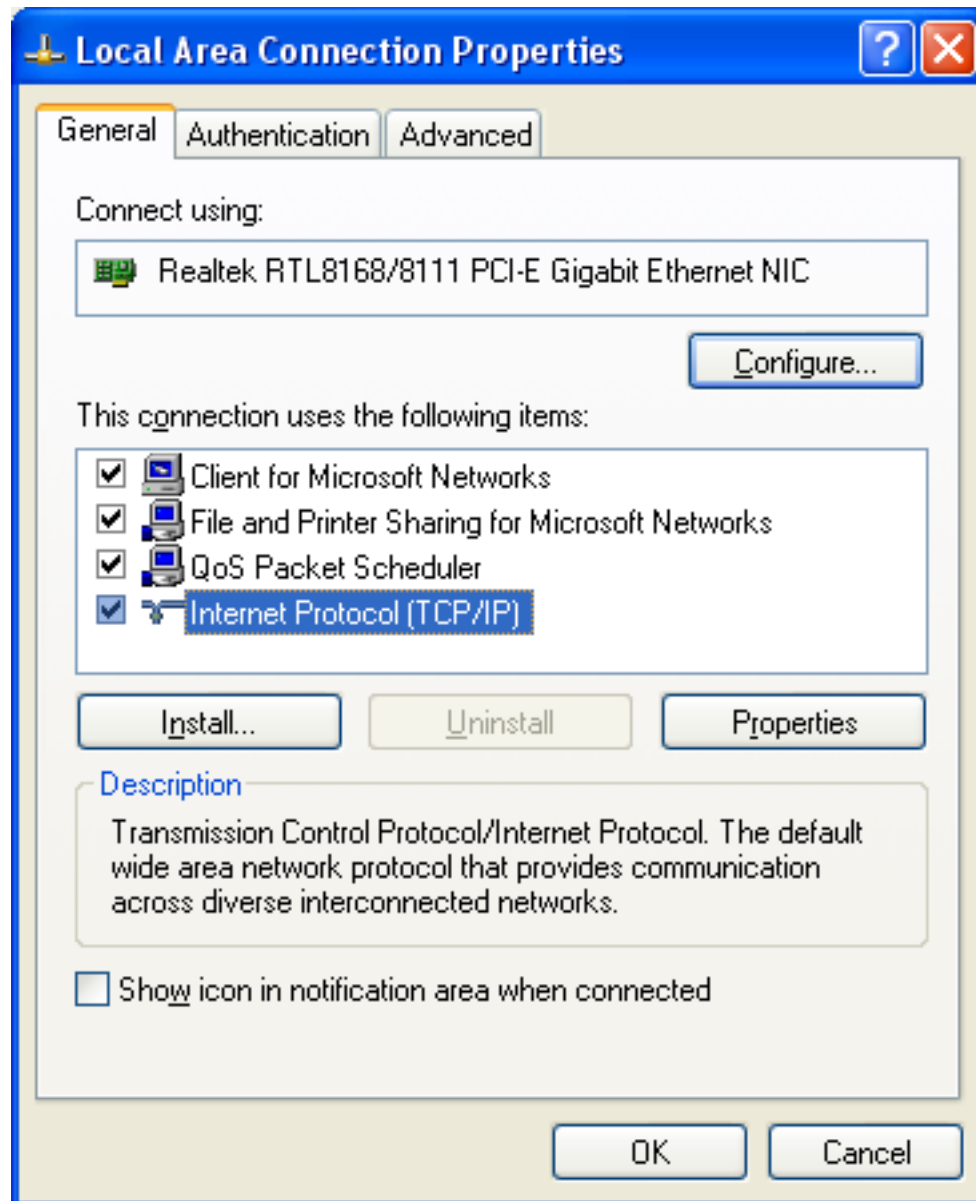
(Figure 7)

Step2: In the following pop-up window, right-click on “Local Area Connection” and select “Properties”.



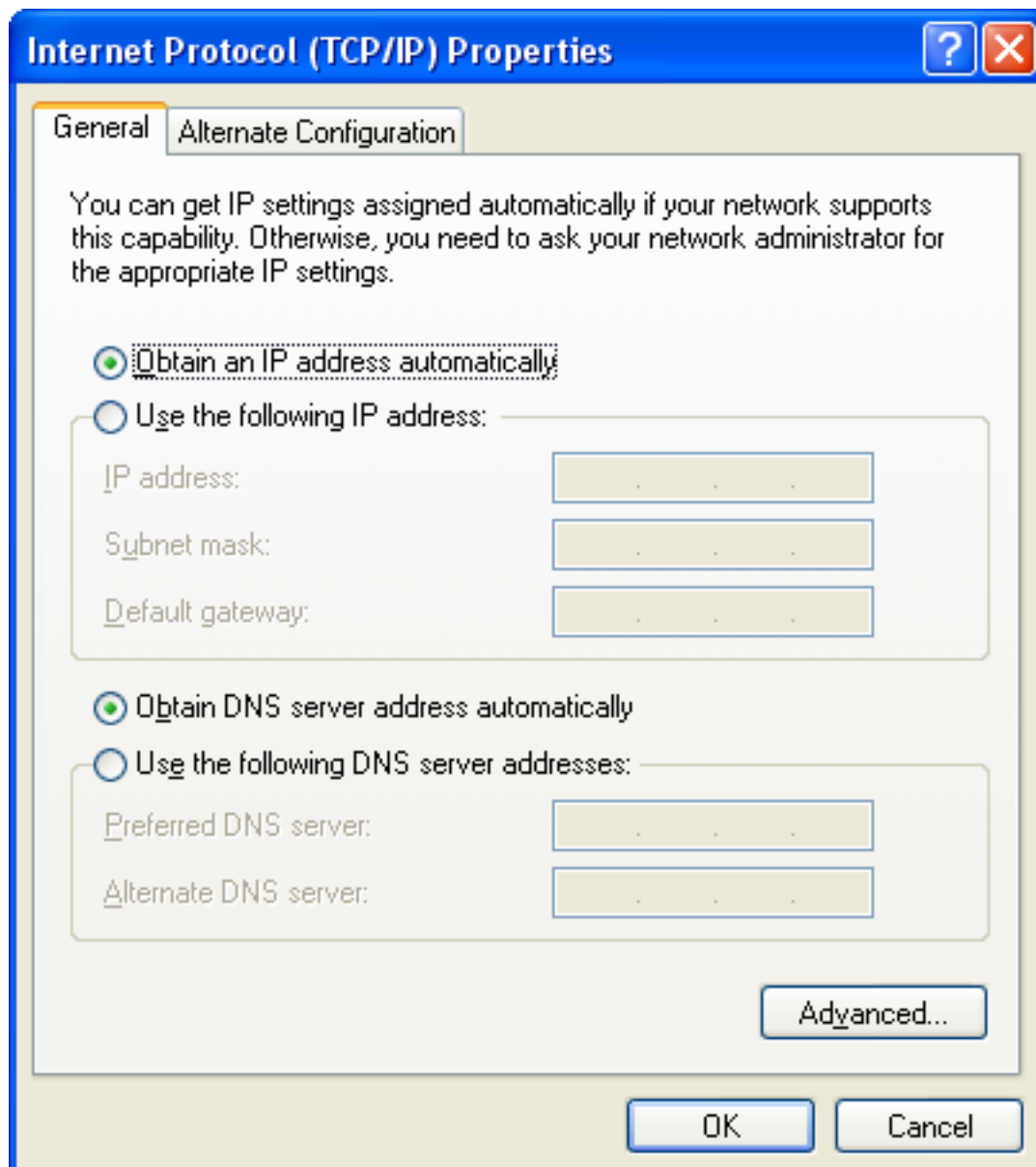
(Figure 8)

Step3: In the following window, select “Internet Protocol (TCP/IP)” option, and then click “Properties”.



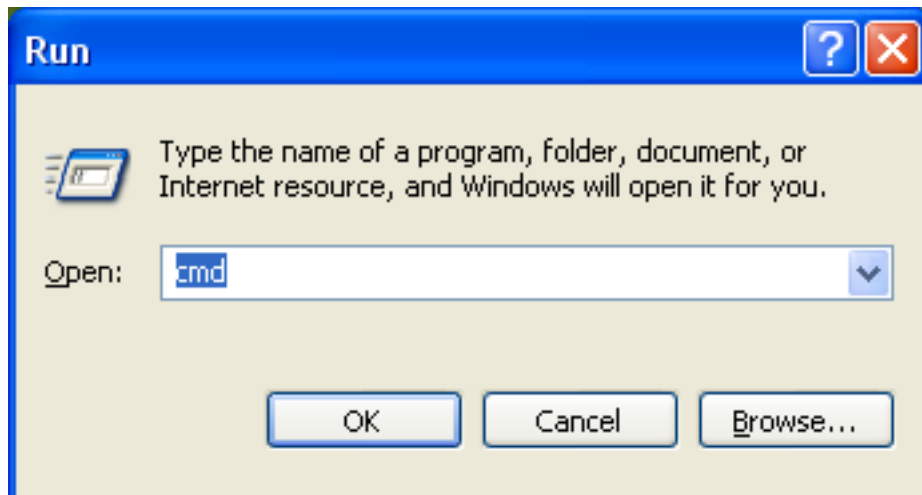
(Figure 9)

Step4: In the following pop-up window, select “Obtain an IP address automatically” and “Obtain DNS server address automatically”. Then click“OK”.



(Figure 10)

Step5: If you selected LAN connection. Please double check if the Gateway is really connected to your computer, when "Local Connection" is showing already connected. Then click "Start" menu and open "Run" program, input "CMD" as figure 10. 【If you selected WIFI connection, Before step3, please click on "Wireless Network Connection" icon in the lower right of desktop, check the wireless network status and select your wireless network. Then connect to it.】



(Figure 11)

Step6: Input order “ping 192.168.1.1” and click “Enter”, it will get the following result which is showing the above configuration is successful.

```
C:\WINDOWS\system32\cmd.exe
Microsoft Windows XP [Version 5.1.2600]
(C) Copyright 1985-2001 Microsoft Corp.

C:\Documents and Settings\libing>ping 192.168.1.1

Pinging 192.168.1.1 with 32 bytes of data:

Reply from 192.168.1.1: bytes=32 time=3ms TTL=64
Reply from 192.168.1.1: bytes=32 time=1ms TTL=64
Reply from 192.168.1.1: bytes=32 time=1ms TTL=64
Reply from 192.168.1.1: bytes=32 time=1ms TTL=64

Ping statistics for 192.168.1.1:
    Packets: Sent = 4, Received = 4, Lost = 0 (0% loss),
    Approximate round trip times in milli-seconds:
        Minimum = 1ms, Maximum = 3ms, Average = 1ms

C:\Documents and Settings\libing>_
```

(Figure 12)

6 Configure 3G Router

Step 1: Open Web Management

Open Web browser, input 192.168.1.1 at Address bar, then press “Enter”.



(Figure 13)

Step 2: input USER and Password

the following pop-up window, both input "admin" at "User name" bar and "Password" bar, then press "OK".



(Figure 14)

Step 3: Intelligent Guide

Click “Quick Setup Guide” as displayed on the major interface and make use of the intelligent guide functions of the router. It enables the first time configuration of the router’s time, administrator information, internal and external network ports.

Select Language

English

[Quick Setup Guide](#)



(Figure 15)

Step 4: Administrator Information Configuration

Account: an account (user name) to log into the management interface. The default system account is admin. Password: a password to log on the management interface. The default system password is admin.

Click Next to Configure the System Time

Adminstrator Settings	
Account	<input type="text" value="admin"/>
Password	<input type="password" value="•••••"/>

(Figure 16)

Step 5: Configure the System Time

NTP Settings	
Current Time	Sat Jan 1 00:10:21 UTC 2000 <input type="button" value="Sync with host"/>
Time Zone:	(GMT+08:00) China Coast, Hong Kong <input type="button" value="v"/>
NTP Server	<input type="text"/> ex: time.nist.gov ntp0.broad.mit.edu time.stdtime.gov.tw
NTP synchronization(hours)	<input type="text"/>

(Figure 17)

Click "Next" to Configure 3G Mode

Current time: display the system time of the router. **Sync with host:** make sure that the router's time settings are consistent with those of the PC. **NTP Server:** set up an Internet-based time server. Every once in a while, the router sets up its time and makes sure that its time is consistent with that of the server. **NTP synchronization (hours):** intervals for the router to obtain data from the time server.

Step 6: Configure 3G Mode

WAN Connection Type: 3G

3G Mode	
Run Type	<input type="button" value="Keep Alive"/> <input type="button" value="v"/>
	Auto Mode: Redial Period(seconds) <input type="text" value="10"/>
	On demand Mode : Idle Time(minutes) <input type="text"/>
PIN Setting	<input type="radio"/> Use Pin <input checked="" type="radio"/> Unused Pin <input type="text"/>
APN	<input checked="" type="radio"/> Auto APN <input type="radio"/> Manual APN <input type="text"/>
Dial Number	<input type="text"/>
User	<input type="text"/>
PassWord	<input type="text"/>
DNS Type	<input type="button" value="Auto DNS"/> <input type="button" value="v"/>
DNS1	<input type="text"/>
DNS2	<input type="text"/>

(Figure 18)

Click "Next" to Configure LAN Information

Run Type: under the "Keep Alive" mode, the router will dial up automatically and get connected to the Internet when 3G equipment is plugged in. Under the "Manual" mode, the access internet through dial-up will not be launched until the user clicks "Connection" on the status page. Under the "On-Demand" mode, the system will be connected to the network automatically in case of WAN access requests. If there are no network access requests within the specific period (Idle Time), the system will disconnect to the network automatically. This connection mode could effectively save network access fees for users that select to make payment by the time actually consumed. **PIN settings:** If your 3G Internet access equipment has a PIN code, you shall select "Use Pin" and fill in the PIN code in the following Input Box. Otherwise, you shall select "Unused Pin". **APN:** If you select "Auto APN", then information such as "APN Information", "Dial Number", "User" and "Password"

shall be filled by the router automatically. If you select “Manual APN”, then you have to fill in such Internet access information by yourself. **DNS Type:** If you select “Auto DNS”, the router will use the DNS obtained by 3G dial-up. If the “Manual DNS” is selected, the router will use the DNS information entered by the user.

Step 7: Configure LAN Information

LAN Setup	
IP Address	192.168.1.1
Subnet Mask	255.255.255.0
MAC Address	00:0C:43:30:52:77
DHCP Type	Server ▼
Start IP Address	192.168.1.2
End IP Address	192.168.1.254
Subnet Mask	255.255.255.0
Primary DNS Server	192.168.1.1
Secondary DNS Server	192.168.1.1
Default Gateway	192.168.1.1



(Figure 19)

Click "Next" to Configure WLAN Information

Intranet ports and DHCP settings **IP Address**: set up IP address for Intranet ports. **Subnet Mask**: set up masks for the Intranet. **MAC Address**: display the physical address of Intranet ports. **DHCP Type**: Select "Server" to open DHCP services and then the host in the Intranet could obtain IP dynamically. **Start IP address-End IP address**: IP obtained by the host in the Intranet via DHCP mode are included in this range. **Default gateway**: set up the gateway for the host in the Intranet. **DNS server**: set up DNS server for the host in the Intranet.

Step 8: Configure WLAN Information

Wireless Network			
Radio On/Off	Enable ▾		
Network Mode	11b/g/n mixed mode ▾		
Network Name(SSID)	436Rjiang		
Security Policy --			
Security Mode	OPEN ▾		
Wire Equivalence Protection (WEP)			
Default Key	Key 1 ▾		
WEP Keys	WEP Key 1 :	<input type="text"/>	Hex ▾
	WEP Key 2 :	<input type="text"/>	Hex ▾
	WEP Key 3 :	<input type="text"/>	Hex ▾
	WEP Key 4 :	<input type="text"/>	Hex ▾

(Figure 20)

Click "Apply" to Complete configuration

Radio On/Off: switch On or Off wireless networks. If Intranet clients do not select "Enable", they could not get Wi-Fi connectivity to the Intranet of the router. **Network Mode :** select standards used by wireless networks. Options are 802.11b, 802.11g and 802.11n, or mix standards 802.11b/g,802.11b/g/n. **Network Name (SSID) :** Enter a name for your wireless local area network (WLAN). **Security Policy:** If "Disable" is selected, Intranet clients could have Wi-Fi connection to the router's Intranet without entering key information. **Security Poclcy:**if "OPEN", "SHARED" or "WEPAUTO" is selected, there is a need to set up the key information. Wireless clients in the Intranet cannot gain access to the router's Intranet until correct key information is entered. You can fill in four (ASCII or Hex, Hex with a length of 10 or 26 characters, ASCII with a length of 5 or 13 characters) keys for this router at the most. One of the four groups of pre-set keys can be selected as the current effective key (default key).

7 Restoring the Factory Defaults

You need to reconstruct the network or you forget the changes of some parameters, you can choose to restore factory defaults and reconfigure the device. **Reset:** Press and hold it to restore the factory defaults. After this operation, all configurations are restored to the defaults.



(Figure 21)